


# SP-700

## OBSTRUCTION LIGHTING UNIT

**LOW INTENSITY**      **TYPE A/B**



	<p><b>Compliance:</b> ICAO Annex 14 Vol. I (7th. Edition, July 2016)</p>
---	--

### FEATURES

- Certified product
- High energy efficiency
- Low weight
- Easy installation

### APPLICATION

Low intensity, designed for usage as obstruction marking

## TECHNICAL SPECIFICATIONS

### Optics

- Light intensity 10 candela (Type A)
- Light intensity 32 candela (Type B)
- Lifetime of optical components over 100 000 hours

### Functions

- Day/night detection system, realized by means of twilight sensor
- Lamp with indication of lamp status, indication of optical elements failure
- Lamp with integrated twilight sensor with signalling of lamp status and indication of damage to lamps's optical elements
- The correct state is indicated by closed contacts, while the emergency state by open contacts

### Power source

- Low power consumption: up to 1.6 W (Type A)
- Low power consumption: up to 2 W (Type B)
- Integrated overvoltage protection type TI+TII (B+C class) at level 36kA to protect against shocks specified in PN-EN 61000-4-5:2009
- By means of dedicated leads, located in a four-way signalling socket (socket B), it is possible to transmit the signal and power from a powered lamp to another lamp with an input connector (socket A). The solution we use allows for chain connections of groups of lamps

### Compliance

- Implement the requirements of regulations issued by the Federal Aviation Administration (FAA), the International Civil Aviation Organization (ICAO), the European Aviation Safety Agency (EASA)
- Certificate of compliance with the requirements for low intensity lamps according to ICAO - an external accredited body
- Mechanical shock resistance - at least IK08
- Electromagnetic compatibility certificate (EMC) - an external accredited body
- Integrated lamp design (light alloys and composites) with a degree of protection IP65 or higher

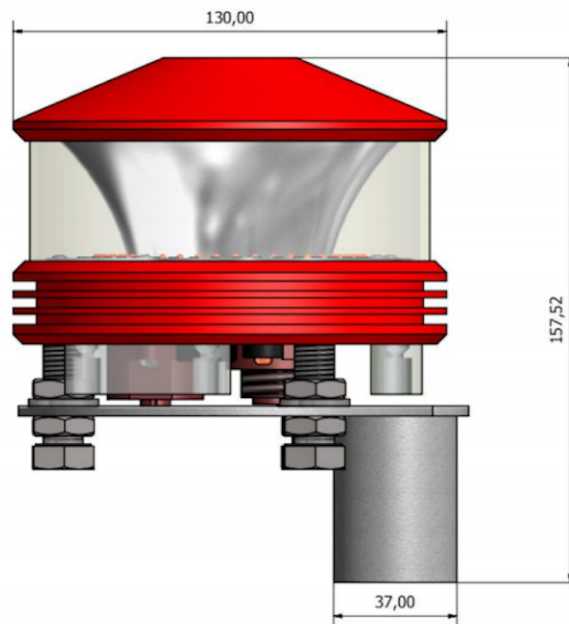
## Body

- Material: light alloys and composites
- Very low lamp weight not exceeding 3,2 kg
- Enclosure surface protected with antioxidant layers
- Mounting on the object by means of a supporting structure ended with a pipe with a 1 inch thread

## Operation range

Operating temperature: From -55°C to +55°C

storage temperature: From -65°C to +75°C



## ELECTRICAL PARAMETERS

Series lamp type SP-700		Supply voltage	Supply voltage VAC/VDC			Average level of power consumption [W]	Type according to ICAO
			Min.	Typ.	Max.[V]		
SP-700	10CD	24 VAC/VDC	10	24	51	< 1,6 (+/-2%)	A
SP-700	10CD	110-230 VAC/VDC	92	110-230	256	< 1,6 (+/-2%)	A
SP-700	32CD	24 VAC/VDC	10	24	51	< 2,0 (+/-2%)	B
SP-700	32CD	110-230 VAC/VDC	92	110-230	256	< 2,0 (+/-2%)	B

> 10 cd – type A according to ICAO  
 > 32 cd – type B according to ICAO