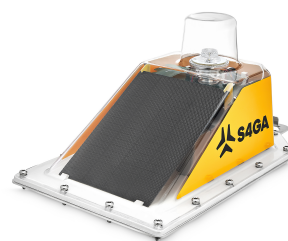





SP-102S SOLAR TLOF LIGHT



TOUCHDOWN AND LIFT OFF AREA

			Compliance: ICAO Annex 14 Vol. II (7th. Edition, July 2016) EASA CS-ADR-DSN FAA AC
---	---	---	--

FEATURES

- Self-contained solar light
- 140 hrs of autonomy
- 49 cd light output

APPLICATION

Low intensity, self contained solar light, designed for temporary usage at heliports, helipads, and landing zone areas.

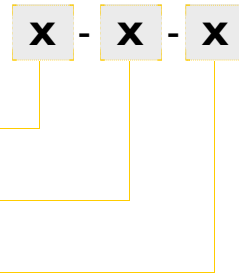
TECHNICAL SPECIFICATIONS

Optics <ul style="list-style-type: none"> • 49 cd light output (tested by accredited laboratory) • Omnidirectional • LED lifespan: 100.000 hrs • Maximum power consumption: 2,4W • NVG-compatible, Infrared LEDs (optional) • Color: green • User-replaceable 	Safety & Reliability <ul style="list-style-type: none"> • Real-time monitoring via ALCMS (Airfield Lighting Control and Monitoring System) 										
Battery <ul style="list-style-type: none"> • Built-in battery • Autonomy: 140 hrs (minimum intensity) • Total capacity: 108W (9Ah/12V) • Deep-cycle VRLA, 12V/9Ah (available worldwide) • Lifespan: 1.200 cycles (designed for 4-5 years) • User-replaceable, air transportable 	Environmental Conditions <ul style="list-style-type: none"> • Temperature range: -20 to 50 °C (-4 to 122 °F) • Ingress protection: IP-67 • Jet Blast Resistance: 480 kph 										
Solar Power Supply <ul style="list-style-type: none"> • 5W built-in solar panel • Polycrystalline type • Lifespan: 15 years • MPPT-Temp / Built-in inverter 12-36V/2A 	Compliance <table border="1"> <tr> <td data-bbox="794 1187 1098 1254">Photometric & Chromaticity</td> <td data-bbox="1098 1187 1495 1254">ICAO, Annex 14th, Volume II, 7th Edition dated July 2016</td> </tr> <tr> <td data-bbox="794 1254 1098 1400">Jet Blast Resistance</td> <td data-bbox="1098 1254 1495 1400">ICAO, Annex 14th, Volume I, 8th Edition dated July 2018, Doc 9157, Part 6, clause 3.2.2 & clause 4.9.1 FAA AC 150/5345-50B dated September 2007, clause 3.2.2</td> </tr> <tr> <td data-bbox="794 1400 1098 1646">Frangibility</td> <td data-bbox="1098 1400 1495 1646">ICAO Doc 9157 AN901 Aerodrome Design Manual Part 6, 1st Edition dated 2006, clause 4.9 ICAO, Annex 14th, Volume I, 8th Edition dated July 2018, clause 5.3.1.3 FAA AC 150-5345-46E clause 3.4.2.1 FAA AC 150/5220-23, clause 3.2</td> </tr> <tr> <td data-bbox="794 1646 1098 1724">Secondary Power Supply</td> <td data-bbox="1098 1646 1495 1724">ICAO, Annex 14th, Volume I, 8th Edition dated July 2018, clause 8.1.8 - 8.1.9 & clause 8.1.11</td> </tr> <tr> <td data-bbox="794 1724 1098 1814">CE Declaration of Conformity</td> <td data-bbox="1098 1724 1495 1814">2014/53/EU RED Directive, clauses 3.1a, 3.1b, 3.2 2011/65/EU ROHS Directive, clause 4.1</td> </tr> </table>	Photometric & Chromaticity	ICAO, Annex 14th, Volume II, 7th Edition dated July 2016	Jet Blast Resistance	ICAO, Annex 14th, Volume I, 8th Edition dated July 2018, Doc 9157, Part 6, clause 3.2.2 & clause 4.9.1 FAA AC 150/5345-50B dated September 2007, clause 3.2.2	Frangibility	ICAO Doc 9157 AN901 Aerodrome Design Manual Part 6, 1st Edition dated 2006, clause 4.9 ICAO, Annex 14th, Volume I, 8th Edition dated July 2018, clause 5.3.1.3 FAA AC 150-5345-46E clause 3.4.2.1 FAA AC 150/5220-23, clause 3.2	Secondary Power Supply	ICAO, Annex 14th, Volume I, 8th Edition dated July 2018, clause 8.1.8 - 8.1.9 & clause 8.1.11	CE Declaration of Conformity	2014/53/EU RED Directive, clauses 3.1a, 3.1b, 3.2 2011/65/EU ROHS Directive, clause 4.1
Photometric & Chromaticity	ICAO, Annex 14th, Volume II, 7th Edition dated July 2016										
Jet Blast Resistance	ICAO, Annex 14th, Volume I, 8th Edition dated July 2018, Doc 9157, Part 6, clause 3.2.2 & clause 4.9.1 FAA AC 150/5345-50B dated September 2007, clause 3.2.2										
Frangibility	ICAO Doc 9157 AN901 Aerodrome Design Manual Part 6, 1st Edition dated 2006, clause 4.9 ICAO, Annex 14th, Volume I, 8th Edition dated July 2018, clause 5.3.1.3 FAA AC 150-5345-46E clause 3.4.2.1 FAA AC 150/5220-23, clause 3.2										
Secondary Power Supply	ICAO, Annex 14th, Volume I, 8th Edition dated July 2018, clause 8.1.8 - 8.1.9 & clause 8.1.11										
CE Declaration of Conformity	2014/53/EU RED Directive, clauses 3.1a, 3.1b, 3.2 2011/65/EU ROHS Directive, clause 4.1										
Control & Monitoring <ul style="list-style-type: none"> • Wireless mesh type network • Operating frequency: 868 MHz • Operating range: up to 1.5 km, relayed (each light is a repeater) • Operating Modes: Steady / Flashing / Dusk till dawn Visible / Infrared (optional) / Visible + Infrared (optional) • Activation options: Via UR-101 Handheld Controller Via ALCMS Computer Interface (requires UR-201) Via UR-201 Control & Monitoring Unit 	Accredited Laboratory Testing										
Casing & Components <ul style="list-style-type: none"> • Materials Casing, Dome: polycarbonate, UV-resistant Mounting: galvanized steel (optional: marine grade stainless steel) Frangible mounting: aluminum (tested by accredited laboratory) • Built in antenna (optional: external antenna) • Pressure stabilizing valve • Battery level indicator • Carrying handle • Casing lifespan: 15 years • Dimensions (LxWxH): 465 x 280 x 250 mm • Weight: 9,9 kg 	<table border="1"> <tr> <td data-bbox="794 1859 1098 1915">Photometric & Chromaticity</td> <td data-bbox="1098 1859 1495 1915">Intertek Laboratory</td> </tr> <tr> <td data-bbox="794 1915 1098 1993">Jet Blast Resistance</td> <td data-bbox="1098 1915 1495 1993">Warsaw Institute of Aviation The Laboratory of Aerodynamics</td> </tr> <tr> <td data-bbox="794 1993 1098 2049">Frangibility</td> <td data-bbox="1098 1993 1495 2049">Laborex Research Laboratory</td> </tr> <tr> <td data-bbox="794 2049 1098 2103">Ingress Protection</td> <td data-bbox="1098 2049 1495 2103">EMAG Institute of Innovative Technologies</td> </tr> </table>	Photometric & Chromaticity	Intertek Laboratory	Jet Blast Resistance	Warsaw Institute of Aviation The Laboratory of Aerodynamics	Frangibility	Laborex Research Laboratory	Ingress Protection	EMAG Institute of Innovative Technologies		
Photometric & Chromaticity	Intertek Laboratory										
Jet Blast Resistance	Warsaw Institute of Aviation The Laboratory of Aerodynamics										
Frangibility	Laborex Research Laboratory										
Ingress Protection	EMAG Institute of Innovative Technologies										

ORDERING CODES

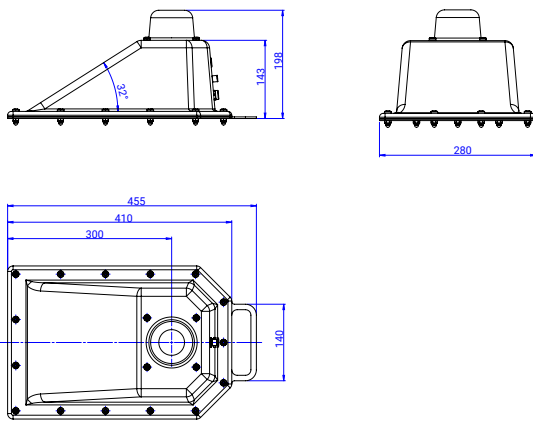
SP-102S TLOF - X - X - X

Remote Control	0 - No 1 - Yes
Infrared	0 - No 1 - Yes
Mounting	0 - No 1 - Yes

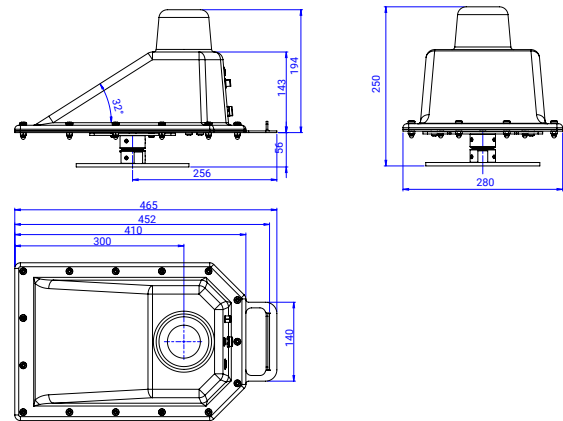


TECHNICAL DRAWING

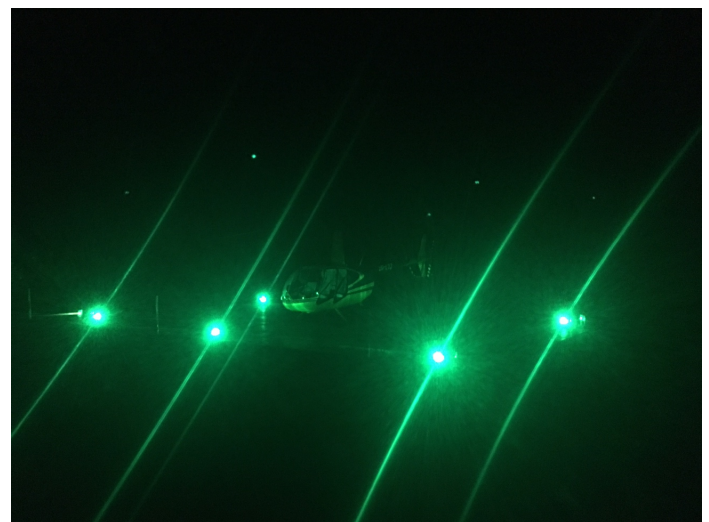
Portable version (without mounting)



Fixed version (with mounting)



APPLICATION PHOTOS



SHIPPING DATA

Item	Dimensions of Package (LxWxH)	Gross Weight
SP-102S Lighting Unit	500 mm x 300 mm x 210 mm	10,5 kg
SP-102S Lighting Unit, NO battery	500 mm x 300 mm x 210 mm	7,9 kg