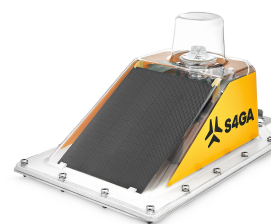





SP-102S SOLAR FATO LIGHT



FINAL APPROACH AND TAKE-OFF AREA

			Compliance: ICAO Annex 14 Vol. II (7th. Edition, July 2016) EASA CS-ADR-DSN FAA AC
---	---	---	--

FEATURES

- Self-contained solar light
- 90 hrs of autonomy
- 110 cd light output

APPLICATION

Low intensity, self contained solar light, designed for temporary usage at heliports, helipads, and landing zone areas.

TECHNICAL SPECIFICATIONS

Optics <ul style="list-style-type: none"> • 110 cd light output (peak) • Omnidirectional • LED lifespan: 100.000 hrs • Maximum power consumption: 3,9W • NVG-compatible, Infrared LEDs (optional) • Color: white, yellow • User-replaceable 	Safety & Reliability <ul style="list-style-type: none"> • Real-time monitoring via ALCMS (Airfield Lighting Control and Monitoring System) 										
Battery <ul style="list-style-type: none"> • Built-in battery • Autonomy: 90 hrs (minimum intensity) • Total capacity: 108W (9Ah/12V) • Deep-cycle VRLA, 12V/9Ah (available worldwide) • Lifespan: 1.200 cycles (designed for 4-5 years) • User-replaceable, air transportable 	Environmental Conditions <ul style="list-style-type: none"> • Temperature range: -20 to 50 °C (-4 to 122 °F) • Ingress protection: IP-67 • Jet Blast Resistance: 480 kph 										
Solar Power Supply <ul style="list-style-type: none"> • 5W built-in solar panel • Polycrystalline type • Lifespan: 15 years • MPPT-Temp / Built-in inverter 12-36V/2A 	Compliance <table border="1"> <tr> <td data-bbox="794 1189 1098 1256">Photometric & Chromaticity</td> <td data-bbox="1098 1189 1495 1256">ICAO, Annex 14th, Volume II, 7th Edition dated July 2016</td> </tr> <tr> <td data-bbox="794 1256 1098 1397">Jet Blast Resistance</td> <td data-bbox="1098 1256 1495 1397">ICAO, Annex 14th, Volume I, 8th Edition dated July 2018, Doc 9157, Part 6, clause 3.2.2 & clause 4.9.1 FAA AC 150/5345-50B dated September 2007, clause 3.2.2</td> </tr> <tr> <td data-bbox="794 1397 1098 1653">Frangibility</td> <td data-bbox="1098 1397 1495 1653">ICAO Doc 9157 AN901 Aerodrome Design Manual Part 6, 1st Edition dated 2006, clause 4.9 ICAO, Annex 14th, Volume I, 8th Edition dated July 2018, clause 5.3.1.3 FAA AC 150-5345-46E clause 3.4.2.1 FAA AC 150/5220-23, clause 3.2</td> </tr> <tr> <td data-bbox="794 1653 1098 1720">Secondary Power Supply</td> <td data-bbox="1098 1653 1495 1720">ICAO, Annex 14th, Volume I, 8th Edition dated July 2018, clause 8.1.8 - 8.1.9 & clause 8.1.11</td> </tr> <tr> <td data-bbox="794 1720 1098 1821">CE Declaration of Conformity</td> <td data-bbox="1098 1720 1495 1821">2014/53/EU RED Directive, clauses 3.1a, 3.1b, 3.2 2011/65/EU ROHS Directive, clause 4.1</td> </tr> </table>	Photometric & Chromaticity	ICAO, Annex 14th, Volume II, 7th Edition dated July 2016	Jet Blast Resistance	ICAO, Annex 14th, Volume I, 8th Edition dated July 2018, Doc 9157, Part 6, clause 3.2.2 & clause 4.9.1 FAA AC 150/5345-50B dated September 2007, clause 3.2.2	Frangibility	ICAO Doc 9157 AN901 Aerodrome Design Manual Part 6, 1st Edition dated 2006, clause 4.9 ICAO, Annex 14th, Volume I, 8th Edition dated July 2018, clause 5.3.1.3 FAA AC 150-5345-46E clause 3.4.2.1 FAA AC 150/5220-23, clause 3.2	Secondary Power Supply	ICAO, Annex 14th, Volume I, 8th Edition dated July 2018, clause 8.1.8 - 8.1.9 & clause 8.1.11	CE Declaration of Conformity	2014/53/EU RED Directive, clauses 3.1a, 3.1b, 3.2 2011/65/EU ROHS Directive, clause 4.1
Photometric & Chromaticity	ICAO, Annex 14th, Volume II, 7th Edition dated July 2016										
Jet Blast Resistance	ICAO, Annex 14th, Volume I, 8th Edition dated July 2018, Doc 9157, Part 6, clause 3.2.2 & clause 4.9.1 FAA AC 150/5345-50B dated September 2007, clause 3.2.2										
Frangibility	ICAO Doc 9157 AN901 Aerodrome Design Manual Part 6, 1st Edition dated 2006, clause 4.9 ICAO, Annex 14th, Volume I, 8th Edition dated July 2018, clause 5.3.1.3 FAA AC 150-5345-46E clause 3.4.2.1 FAA AC 150/5220-23, clause 3.2										
Secondary Power Supply	ICAO, Annex 14th, Volume I, 8th Edition dated July 2018, clause 8.1.8 - 8.1.9 & clause 8.1.11										
CE Declaration of Conformity	2014/53/EU RED Directive, clauses 3.1a, 3.1b, 3.2 2011/65/EU ROHS Directive, clause 4.1										
Control & Monitoring <ul style="list-style-type: none"> • Wireless mesh type network • Operating frequency: 868 MHz • Operating range: up to 1.5 km, relayed (each light is a repeater) • Operating Modes: Steady / Flashing / Dusk till dawn Visible / Infrared (optional) / Visible + Infrared (optional) • Activation options: Via UR-101 Handheld Controller Via ALCMS Computer Interface (requires UR-201) Via UR-201 Control & Monitoring Unit 	Accredited Laboratory Testing										
Casing & Components <ul style="list-style-type: none"> • Materials Casing, Dome: polycarbonate, UV-resistant Mounting: galvanized steel (optional: marine grade stainless steel) Frangible mounting: aluminum (tested by accredited laboratory) • Built in antenna (optional: external antenna) • Pressure stabilizing valve • Battery level indicator • Carrying handle • Casing lifespan: 15 years • Dimensions (LxWxH): 465 x 280 x 250 mm • Weight: 9,9 kg 	<table border="1"> <tr> <td data-bbox="794 1861 1098 1917">Photometric & Chromaticity</td> <td data-bbox="1098 1861 1495 1917">Intertek Laboratory</td> </tr> <tr> <td data-bbox="794 1917 1098 1995">Jet Blast Resistance</td> <td data-bbox="1098 1917 1495 1995">Warsaw Institute of Aviation The Laboratory of Aerodynamics</td> </tr> <tr> <td data-bbox="794 1995 1098 2051">Frangibility</td> <td data-bbox="1098 1995 1495 2051">Laborex Research Laboratory</td> </tr> <tr> <td data-bbox="794 2051 1098 2103">Ingress Protection</td> <td data-bbox="1098 2051 1495 2103">EMAG Institute of Innovative Technologies</td> </tr> </table>	Photometric & Chromaticity	Intertek Laboratory	Jet Blast Resistance	Warsaw Institute of Aviation The Laboratory of Aerodynamics	Frangibility	Laborex Research Laboratory	Ingress Protection	EMAG Institute of Innovative Technologies		
Photometric & Chromaticity	Intertek Laboratory										
Jet Blast Resistance	Warsaw Institute of Aviation The Laboratory of Aerodynamics										
Frangibility	Laborex Research Laboratory										
Ingress Protection	EMAG Institute of Innovative Technologies										

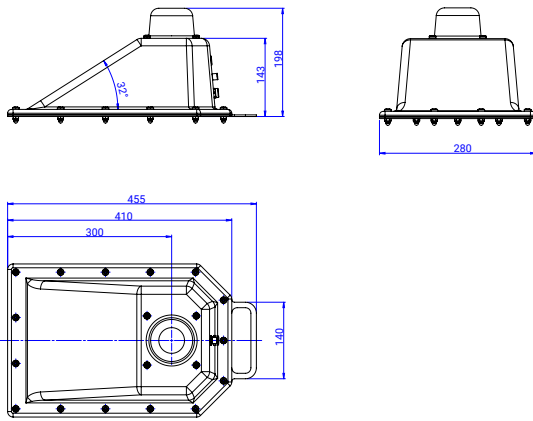
ORDERING CODES

SP-102S FATO - X - X - X

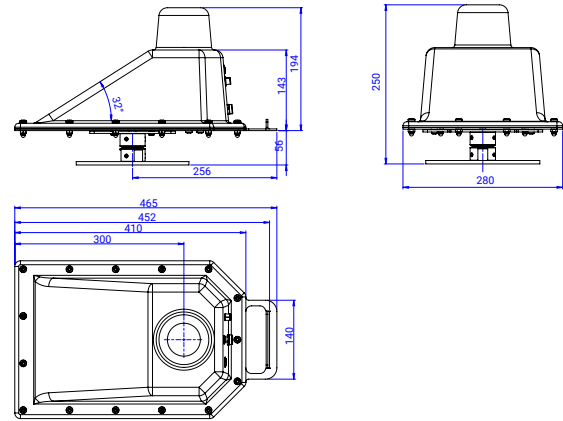
Remote Control	0 - No 1 - Yes
Infrared	0 - No 1 - Yes
Mounting	0 - No 1 - Yes

TECHNICAL DRAWING

Portable version (without mounting)



Fixed version (with mounting)



APPLICATION PHOTOS



SHIPPING DATA

Item	Dimensions of Package (LxWxH)	Gross Weight
SP-102S Lighting Unit	500 mm x 300 mm x 210 mm	10,5 kg
SP-102S Lighting Unit, NO battery	500 mm x 300 mm x 210 mm	7,9 kg