

S4GA POWER BANK

FOR PORTABLE A-PAPI

S4GA Power Bank is used to provide power supply to S4GA portable PAPI system.

Single Power Bank can power 2x PAPI projectors at the same time. In order to power 4x PAPI projectors, 2x Power Banks are required.

FEATURES

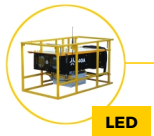
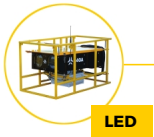
- Designed to supply portable 110-230 VAC A-PAPI systems
- LED A-PAPI autonomy: 10 hrs
- Applicable for civil & military applications
- Compliant with international standards
- Designed for permanent outside operations



S4GA A-PAPI Power Bank is optional element for S4GA Portable LED A-PAPI



POWER BANK AUTONOMY



Abbreviated PAPI (2x LHA) connected to the Power Bank



10 hours of A-PAPI autonomy



INVERTER-CHARGER VICTRON MULTIPLUS C12/1600/17



WI-FI MODULE VICTRON ENERGY VENUS GX (OPTIONAL)



2 X BATTERIES TOTAL CAPACITY: 2 640W

AIR FILTER



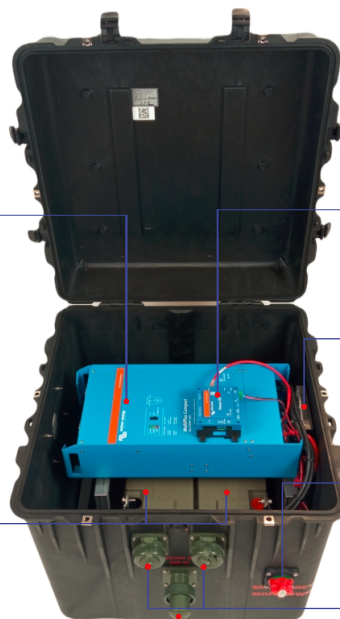
EMERGENCY SHUTDOWN SWITCH



INPUT POWER SOCKET 110-230V MILITARY STANDARD



OUTPUT POWER SOCKETS 110-230V MILITARY STANDARD

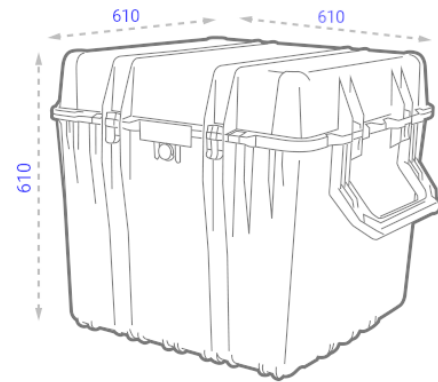


TECHNICAL SPECIFICATIONS

Features
<ul style="list-style-type: none"> • Applicable for LED & Halogen A-PAPI systems • Provides up to 10 hrs of LED A-PAPI autonomy • Compliant with international standards • Battery monitoring available (optional) • Over-charging protection
Components
<ul style="list-style-type: none"> • 1 x Victron Multiplus Inverter-Charger • 1 x Wi-Fi battery health monitor (optional) • 1 x Air filter • 2 x batteries 12V / 110Ah • 2 x Output sockets 110-230V 16A (military standard sockets) • 1 x Input socket 110-230V 20A (military standard socket) • 1 x Emergency Shut Down Switch • 1 x Ventilation panel
Physical
<ul style="list-style-type: none"> • Dimensions (LxWxH): 610 mm x 610 mm x 610 mm • Weight: 98 kg • Color: black • Material: Polypropylene
Electrical
<ul style="list-style-type: none"> • Input: 110-230V 20A • Output: 2 x 110-230V 16A • Total Capacity: 2640 W
Environmental
<ul style="list-style-type: none"> • Operating temperature: -20 to 55 °C (-4 to 131 °F) • Ingress protection: IP-67

Casing Features
<ul style="list-style-type: none"> • Watertight, crushproof, and dustproof • Stainless steel hardware and padlock protectors • Automatic Pressure Equalization Valve - balances interior pressure, keeps water out • Open cell core with solid wall design - strong, light weight • O-ring seal
Compliance
<ul style="list-style-type: none"> • 2014/35/EU Low Voltage Directive • 2014/30/EU Electromagnetic Compatibility Directive • 2011/65/EU ROHS Directive

DIMENSIONS



CIVIL RUNWAYS



MILITARY AIR BASES



SHIPPING DATA

Dimensions of Package (LxWxH)
610 mm x 610 mm x 610 mm

Gross Weight
100 kg